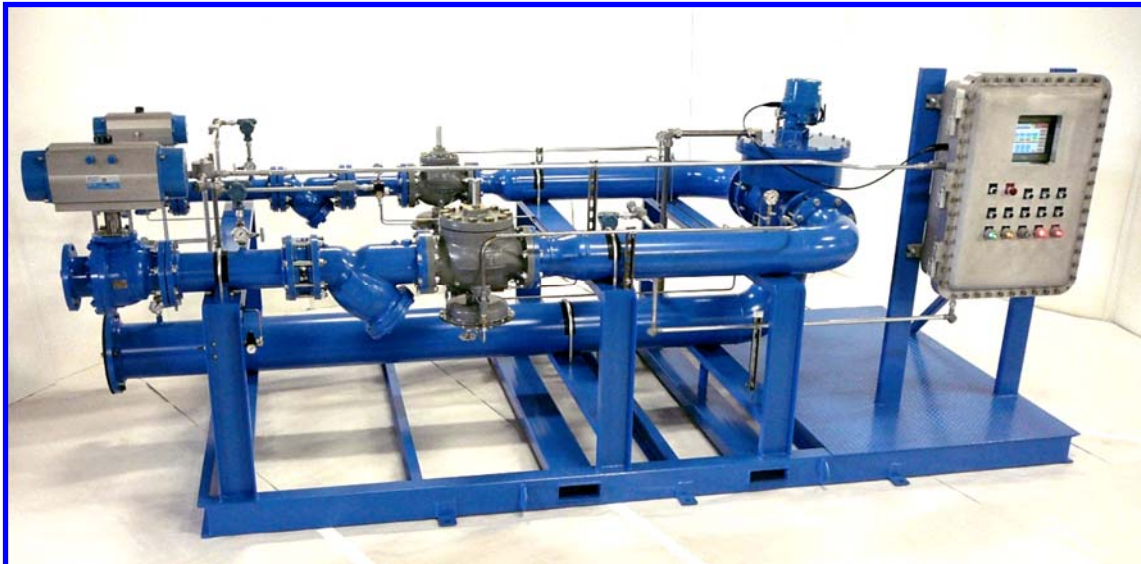




# POM

# Blending Systems

## Patented Piston Operated Mixers



POM-100 with optional Explosion-Proof control panel and AccuBlend Automatic Gas Properties Controller.

- **Compact Design, Plug and Play Installation**
- **Low Maintenance, Superior Reliability**
- **Patented POM Mixing Valve, Set it and Forget it**
- **High Capacity: 10 to 1,000+ MMBTUBTU/h**
- **Discharge Pressures: 5 to 150+ PSIG**
- **High Quality Components: Fisher, ASCO, Siemens, Allen-Bradley**
- **For Standby, Base Load, or Peak Shaving Applications.**
- **Option: Single Skid Installation with Water Bath Vaporizer**
- **Option: AccuBlend Automatic Gas Properties Control**
- **Option: Flow Controller for Peak Shaving**
- **Option: Remote Monitoring and Control via Ethernet or Cellular**
- **Option: Containerization in standard ISO Shipping Container**

## What are LPG-Vapor / Air Blenders ?

**L**PG vapor from a vaporizer or a storage tank is not directly compatible with natural gas and can therefore not be used for standby or backup purposes. LPG vapor/air blenders blend LPG vapor with air to produce a gas mixture that is directly compatible and interchangeable with natural gas. This allows users to switch back and forth between natural gas supplied by their utility company, and their own, LPG based backup fuel, without having to change the setup of any of their process or heating equipment, such as burners, boilers, heater, dryers, kilns, drum ovens, etc. The LP/air blend is often referred to as Synthetic Natural Gas, or SNG.

The most common vapor/air mixers are based on venturi tube mixing devices. For larger system capacities, or for applications with higher system pressures, AES uses our patented Piston Operated Mixer. This concept is suitable for standby, baseload and PeakShaving applications, and offers very intuitive and reliable automatic control of the mixed gas properties (Heating Value, Specific Gravity, and Wobbe Index).

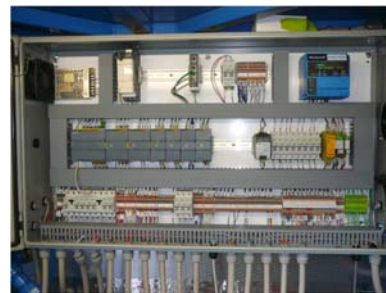
## Standard Features and Options

Standard Features:

- Nominal capacities from 10 MMBTU/h to 1,000+ MMBTU/h at 5 to 1150+ PSIG.
- Flanged Connections (Vapor and Air Inlets and Mixed Gas Outlet).
- All Welded construction.
- Rosemount Transmitters for Vapor Pressure, Compressed Air Pressure, Mixed Gas Pressure, Vapor/Air Differential Pressure.
- Siemens S7-1200 or Allen-Bradley MicroLogix-1400 Programmable Logic Controller (PLC) with Ethernet Interface.
- Full-graphic color LCD display with touch-screen operator interface, for system start/stop and parameter display. Trend Lines with over two years local data storage.
- Pneumatic safety actuators (fail-safe closed) on vapor and air inlet valves.
- Can be installed outdoor or indoor.
- UL listed Solenoid Valve in regulator loading line.
- Blenders are FM and CSA approved, are suitable for IRI installations, and are available with European CE Mark.
- Factory Primed, Painted, and Tested – ready for installation.
- Remote Monitoring and Control via Ethernet through built-in VNC Server (open license for VNC client software included).

Options:

- Custom Control Panels (Siemens, Allen-Bradley, GE, Bristol Babcock...)
- Custom System Integration (Profinet, Profibus, Modbus, LonWorks, BACnet...)
- Complete Packages with Vaporizers (Single Skid Installation, Containerization)
- Flow Meters and Gas Analyzers (Gravimeters, Calorimeters, Wobbe Index Analyzers)
- Automatic Gas Properties Controller (AccuBlend™) for correction of Heating Value, Wobbe Number, or Specific Gravity
- Temperature Transmitters for Vapor Supply, Compressed Air Supply, and Mixed Gas Outlet
- Explosion Proof Control Panel Mounted Directly at Blender Skid



Typical Touch Screen Operator Interface and Control Panel with Siemens S7-1200F Safety PLC with Ethernet Interface.

## LP/Air Applications

**A**ES Piston Operated Mixers have received national and international patents. They have been continuously manufactured for more than 40 years and have seen constant improvements. The blenders have been approved by Factory Mutual (FM Global) and CSA. Blenders with European CE Mark comply with all applicable EU Directives (ATEX, PED, etc.).

Installations around the world include PeakShaving Plants for Gas Utilities; Standby Plants for large industrial users; Backup Systems for government and defense installations; Primary Fuel Source for areas without natural gas supply or for areas preparing for connection to natural gas; Power Plants; in Glass, Ceramics and Brick Manufacturing; Chemical Plants; Metal Processing; Food Processing; etc.

AES Piston Operated Mixers can be used with AES LPG vaporizers, or with existing vaporizers from other manufacturers. Using them with AES vaporizers allows complete integration with sophisticated, PLC-based system controls, including remote monitoring and operation.

## Other Applications

**I**n addition to the LP/Air blending applications, POM blenders have also proven to be ideal for other gas/gas blending applications. These applications include NatGas stabilization for critical production lines; production of "City Gas" from NatGas and Air or LPG-vapor and air; Coke Oven Gas replacement with NatGas and Air, LPG-vapor and air, or NatGas and Nitrogen; backup for Landfill Gas fired turbines with NatGas/Air or LPG-vapor/Air; backup for Digester Gas fired engines; conditioning of Digester Gas to improve combustion and reduce emissions; and a number of other gas/gas blending applications.

In general, POM blenders can be used for any gas/gas blending application where the gasses are compatible with the materials of the blender. Standard material is Carbon Steel, but the design of the POM also allows it to be manufactured from Stainless Steel or "exotic" materials.

Contact Alternate Energy Systems if you have an application that is not listed above. We will be able to respond within one to two business days with a system design concept and a price and delivery estimate.

## How do Alternate Energy Systems' POM LPG-Vapor / Air Blenders work ?

**S**tandard high capacity / high pressure LPG vapor / air blenders can be very complicated pieces of machinery, difficult to set up, and requiring a very high level of maintenance. With the advent of the POM, "Piston Operated Mixer", these installer and operator "nightmares" are a thing of the past. The impressive simplicity of the POM guarantees the ultimate in accuracy, reliability and flexibility, and allows the POM to be manufactured in virtually any capacity and of any material compatible with the gasses that are being blended. By using a piston, there are no design pressure or temperature restrictions commonly found with diaphragms, which have high-temperature restrictions or may stiffen and crack in cold temperatures or over time.

Compared to systems with proportional mixing valves, which typically use differential pressure feedback, POM systems impress with their simple installation, setup, operation and maintenance, their unsurpassed operational reliability, their quick response to load changes, and their turn-down ratio of 40:1 or better.

Compared to blending systems that rely on the presence and accuracy of Vortex (or other types of) flow meters to pre-set the blending ratio ("feed-forward" or "forward control"), and then have to wait for a signal from a gas analyzer (usually a Calorimeter) to make adjustments to the blending ratio until the actual gas properties match the desired values (feed-back), POM blenders are much faster to respond to load changes (flow changes) and offer true Set-it-and-Forget-it performance.

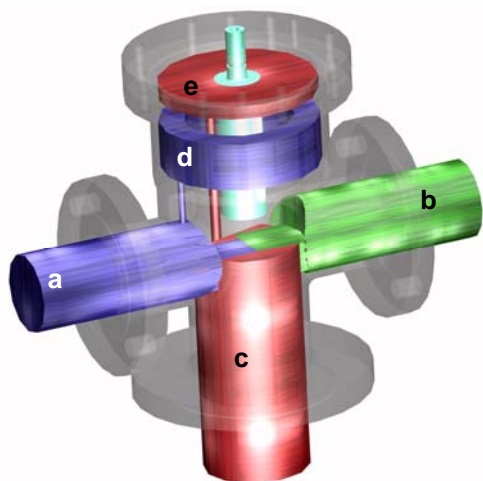
While the flow meter based blenders cannot operate accurately without the presence of a gas analyzer, POM blenders will maintain their blending ratio regardless of the flow demand. This has been proven time-and-time again in demanding applications. A typical example for this is the fuel supply to float glass plants, where the periodic "reversals" (100% flow for 20 minutes; 100% to 0% in 10 seconds; no-flow for several seconds; 0% to 100% in 5-10 seconds) usually upset flow meter based blenders to the point that some users have decided to use them for "Asset Protection" only, but not for "Profit Protection" (keep the furnace warm, but don't produce glass, because the gas properties are not good enough). POM blenders, on the other hand, have no problem maintaining the blending ratio even under these conditions, and have therefore become a standard for the glass industry.

Once set, the POM will blend two gasses at a constant ratio: the result is an LPG / air mixture which is compatible with natural gas, regardless of the downstream demand. The POM system is a "push-thru" system. This means that it is not necessary to reduce the compressed air or the LPG vapor to zero pressure during the mixing process, before compressing both air and gas to the desired pressure. The POM system utilizes the existing pressure in the LPG to satisfy most industrial and utility peak shaving applications.

**HOW IT WORKS** – The dominant gas (i.e. LPG) enters the mixer at Inlet Port "A". The blend gas (i.e. compressed air) enters at Inlet Port "B". Both gasses exit together at Exit Port "C". A small connecting bore connects Inlet Port "A" with Chamber "D" and, another bore connects Chamber "E" (through the piston) with Exit Port "C".

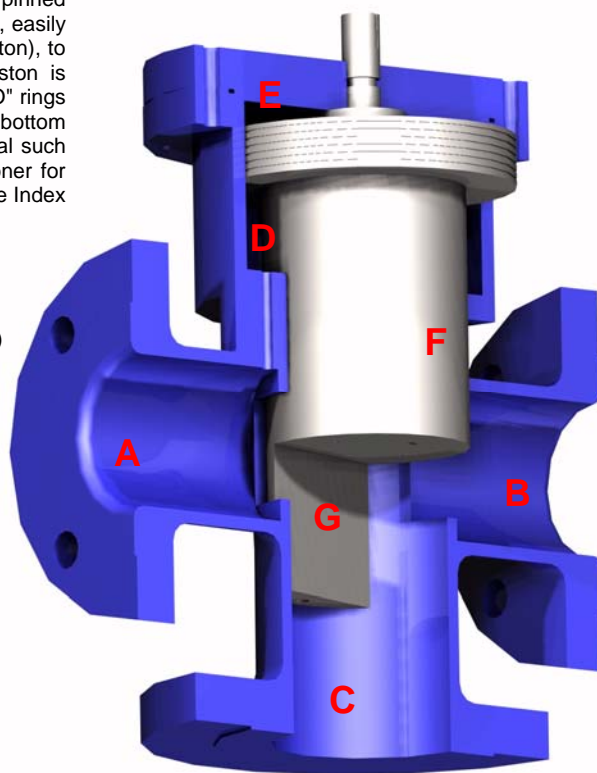
When turned off, or during no-flow periods, the piston rests in the closed position. Upon demand for gas, pressure at Exit Port "C" drops slightly. This change in pressure is passed through the piston to Chamber "E". The pressure at Inlet Port "A" (dominant gas) is greater and, since this area connects to Chamber "D", the piston will rise or descend with demand changes or pressure drops at Exit Port "C". When the flow rate is constant, the piston will "float", partially opening the inlet gates A and B. This results in a very accurate positioning of the piston, accurately metering the flow of gas, regardless of the downstream demand.

**BLENDING RATIO ADJUSTMENT** – A segment "G", cut out of the piston, matches the edge of the cutouts in Port "A-B". The piston is positioned between a sliding, pinned guide and the top of the piston. A knurled knob, attached to the stem of the guide, easily allows adjustment to be made externally by rotating the guide (and with it the piston), to restrict either Inlet Port, thereby controlling the ratio of gas and air. The piston is designed with a series of grooves, called a "labyrinth", which generates circular "O" rings or vortices which prevent the gasses from transferring between the top and bottom chambers. This design eliminates the need for a diaphragm or a mechanical seal such as a piston ring. It also allows the POM to be equipped with an actuator/positioner for automatic correction of the properties of the mixed gas, i.e. Calorific Value, Wobbe Index Number, O<sub>2</sub> content, Specific Gravity, etc.



Gas Flow through POM Valve

- Legend:
- A Dominant Gas Inlet (LPG)
  - B Compressed Air Inlet
  - C Mixed Gas Outlet
  - D Dominant Gas Loading Chamber
  - E Mixed Gas Flow Sensing Chamber
  - F Piston
  - G Piston Cutout for Ratio Adjustment



# Specifications

SPECIFICATIONS		POM - 30	POM - 40	POM - 60	POM - 80	POM - 100
Type		Equal Pressure Blending System / Patented Piston Operated Mixer. US-Patents, International Patents				
Max. Capacity <sup>1</sup> at 10 psi / 0.7 bar NatGas Replacement <sup>3</sup>	MMBTU/h Nm <sup>3</sup> /h	30 850	80 2,270	140 3,970	300 8,500	550 15,580
Max. Capacity <sup>1</sup> at 30 psi / 2.1 bar NatGas Replacement <sup>3</sup>	MMBTU/h Nm <sup>3</sup> /h	80 2,270	175 4,960	330 9,350	735 20,820	1000+ 28,340+
Max. Capacity <sup>1</sup> at 50 psi / 3.5 bar NatGas Replacement <sup>3</sup>	MMBTU/h Nm <sup>3</sup> /h	125 3,540	280 7,930	520 14,730	1000+ 28,340+	1000+ 28,340+
Max. Capacity <sup>1</sup> at 75 psi / 5.1 bar NatGas Replacement <sup>3</sup>	MMBTU/h Nm <sup>3</sup> /h	180 5,100	400 11,330	740 20,960	1000+ 28,340+	1000+ 28,340+
Max. Capacity <sup>1</sup> at 100 psi / 6.9 bar NatGas Replacement <sup>3</sup>	MMBTU/h Nm <sup>3</sup> /h	240 6,800	525 14,870	975 27,620	1000+ 28,340+	1000+ 28,340+
Design Temperature	°F °C	180 82	180 82	180 82	180 82	180 82
Manufactured Construction		Conforms to ASME Boiler & Pressure Vessel Code and latest Edition of NFPA # 58				
Approvals		Factory Mutual (FM) and CSA; suitable for Industrial Risk Insurers (IRI) installations; Control Panel can be UL 508a stamped; CE Mark (ATEX; PED; etc.) for export units to Europe;				
Standard Safety Features		All system status signals are constantly monitored through a Programmable Logic Controller (PLC; Siemens or Allen-Bradley). Process values and any alarm conditions are communicated to, and displayed at, the color LCD display with touch screen operator interface in plain English; other languages available.				
High Mixed Gas Pressure		Rosemount electronic pressure transmitter in mixed gas outlet. Setpoint adjustable through Operator Interface.				
Low Mixed Gas Pressure		Rosemount electronic pressure transmitter in mixed gas outlet. Setpoint adjustable through Operator Interface.				
High LPG Vapor Pressure		Rosemount electronic pressure transmitter in mixed gas outlet. Setpoint adjustable through Operator Interface.				
Low LPG Vapor Pressure		Rosemount electronic pressure transmitter in mixed gas outlet. Setpoint adjustable through Operator Interface.				
High Air Supply Pressure		Rosemount electronic pressure transmitter in mixed gas outlet. Setpoint adjustable through Operator Interface.				
Low Air Supply Pressure		Rosemount electronic pressure transmitter in mixed gas outlet. Setpoint adjustable through Operator Interface.				
Excess Differential Pressure		Rosemount electronic differential pressure transmitter between downstream vapor and air lines. Setpoint adjustable through Operator Interface.				
Local Indicators		Thermometers and liquid filled pressure gauges for vapor supply, compressed air supply and mixed gas outlet; vapor/air differential gauge (dry).				
Safety Valves in Vapor Inlet and Air Inlet		Air-actuated ball valves; fail-safe design with spring-return closes valves on power failure, high-pressure alarm, or ESD command.				
Vapor Supply Connection	Domestic (ANSI) Export (DIN)	2" 300# RF DN50 PN40			3" 300# RF DN80 PN40	
Minimum Vapor Supply Pressure		15 psi (1 bar) above system sendout pressure (preferred). 5 psi (0.35 bar) available; contact AES for details.				
Compressed Air Supply Connection	Domestic (ANSI) Export (DIN)	2" 150# RF DN50 PN16			3" 150# RF DN80 PN16	
Minimum Compressed Air Supply Pressure		15 psi (1 bar) above system sendout pressure (preferred). Lower pressures available; contact AES for details.				
Mixed Gas Outlet Connection	Domestic (ANSI) Export (DIN)	3" 300# RF DN80 PN10	4" 300# RF DN100 PN10	6" 300# RF DN150 PN10	8" 300# RF DN200 PN10	10" 300# RF DN250 PN10
Electrical Requirements	Domestic Export	AC 110/120 V 60 Hz 5 A, Single Phase AC 220/230 V 50 Hz 5 A, Single Phase				
Dimensions <sup>2</sup> (W x L x H)	inch m	54x92x53 1.37x2.34x1.35	54x96x 57 1.37x2.44x1.45	54x103x64 1.37x2.62x1.63	60x115x66 1.52x2.92x1.68	78x148x70 1.98x3.76x1.78
Weight <sup>2</sup>	lbs kg	1000 455	1100 500	1400 650	2000 900	3000 1350

<sup>1</sup> Nominal Capacity for Propane with 1450 BTU/cuft (12900 kcal/m<sup>3</sup>) Propane/Air Mix @ 10 to 100 psig. Capacity for other LPG mixtures may vary.

<sup>2</sup> Dimensions and weights are approximate.

<sup>3</sup>NatGas Replacement = equivalent consumption of standard NatGas with 1000 BTU/cuft (8900 kcal/m<sup>3</sup>).

# POM Selection Chart

**T**o find the right POM for your application, select the required nominal system capacity from the first column of the chart. Move to the right until you are below the system design pressure (delivered mixed gas pressure). The top row of the cell indicates the POM model number. The bottom row of the cell indicates the POM configuration (regulator type / orifice size).

**N**ominal Capacity in MMBTUBTU per hour (top row) and Nm<sup>3</sup>/h (bottom row) is given for Propane/air mixture with 1450 BTU/cuft at delivered mixed gas pressures of 10 psig to 100 psig. Capacity for other LPG/air mixtures and/or pressures may vary. Nominal Capacity is based on vapor and compressed air inlet pressures of 15 psi (1 bar) above sendout pressure, and a pressure drop of less than 10% across the mixing valve at maximum flow. The number for Nm<sup>3</sup>/h (bottom row) refers to "NatGas Replacement", which is defined as "equipment consumption of standard NatGas with 1000 BTU/cuft (8900 kcal/m<sup>3</sup>)".

Other flow rate/pressure combinations are available. Please contact Alternate Energy Systems for your specific needs.

	10 psi 0.7 bar	20 psi 1.4 bar	30 psi 2.1 bar	40 psi 2.8 bar	50 psi 3.5 bar	60 psi 4.2 bar	70 psi 4.9 bar	80 psi 5.6 bar	90 psi 6.3 bar	100 psi 7 bar
20 MMBTU 560 Nm <sup>3</sup>	POM-30 -9	POM-30 -9	POM-30 -9	POM-30 -9	POM-30 -9	POM-30 -9	POM-30 -9	POM-30 -9V	POM-30 -9V	POM-30 -81HV
40 MMBTU 1130 Nm <sup>3</sup>	POM-40 -9	POM-30 -9	POM-30 -9	POM-30 -9	POM-30 -9	POM-30 -9	POM-30 -9	POM-30 -9V	POM-30 -9V	POM-30 -81HV
60 MMBTU 1700 Nm <sup>3</sup>	POM-40 -9	POM-30 -9	POM-30 -9	POM-30 -9	POM-30 -9	POM-30 -9	POM-30 -9	POM-30 -9V	POM-30 -9V	POM-30 -81HV
80 MMBTU 2260 Nm <sup>3</sup>	POM-40 -9	POM-40 -9	POM-30 -9	POM-30 -9	POM-30 -9	POM-30 -9	POM-30 -9	POM-30 -9V	POM-30 -9V	POM-30 -81HV
100 MMBTU 2800 Nm <sup>3</sup>	POM-60 -9	POM-40 -9	POM-40 -9	POM-30 -9	POM-30 -9	POM-30 -9	POM-30 -9	POM-30 -9V	POM-30 -9V	POM-30 -81HV
120 MMBTU 3400 Nm <sup>3</sup>	POM-60 -9	POM-40 -9	POM-40 -9	POM-40 -9	POM-30 -9	POM-30 -9	POM-30 -9	POM-30 -9V	POM-30 -8V	POM-30 -8HV
140 MMBTU 4000 Nm <sup>3</sup>	POM-60 -9	POM-60 -9	POM-40 -9	POM-40 -9	POM-40 -9	POM-30 -9	POM-30 -8	POM-30 -8V	POM-30 -8V	POM-30 -8HV
160 MMBTU 4530 Nm <sup>3</sup>	POM-80 Call AES	POM-60 -8	POM-40 -8	POM-40 -8	POM-40 -8	POM-40 -8	POM-40 -8	POM-40 -8V	POM-40 -8V	POM-40 -8VH
180 MMBTU 5100 Nm <sup>3</sup>	POM-80 Call AES	POM-60 -8	POM-40 -8	POM-40 -8	POM-40 -8	POM-40 -8	POM-40 -8	POM-40 -8V	POM-40 -8V	POM-40 -8VH
200 MMBTU 5660 Nm <sup>3</sup>	POM-80 Call AES	POM-60 -8	POM-60 -8	POM-40 -8	POM-40 -8	POM-40 -8	POM-40 -8	POM-40 -8V	POM-40 -8V	POM-40 -8VH
220 MMBTU 6230 Nm <sup>3</sup>	POM-80 Call AES	POM-60 -8	POM-60 -8	POM-40 -8	POM-40 -8	POM-40 -8	POM-40 -8	POM-40 -8V	POM-40 -8V	POM-40 -8VH
240 MMBTU 6800 Nm <sup>3</sup>	POM-80 Call AES	POM-60 -8	POM-60 -8	POM-60 -8	POM-40 -8	POM-40 -8	POM-40 -8	POM-40 -8V	POM-40 -8V	POM-40 -8VH
260 MMBTU 7360 Nm <sup>3</sup>	POM-80 Call AES	POM-80 Call AES	POM-60 -8	POM-60 -8	POM-40 -8	POM-40 -8	POM-40 -8	POM-40 -8V	POM-40 -8V	POM-40 -8VH
280 MMBTU 7930 Nm <sup>3</sup>	POM-80 Call AES	POM-80 Call AES	POM-60 -8	POM-60 -8	POM-40 -8	POM-40 -8	POM-40 -8	POM-40 -8V	POM-40 -8V	POM-40 -8VH
300 MMBTU 8800 Nm <sup>3</sup>	POM-80 Call AES	POM-80 Call AES	POM-60 -8	POM-60 -8	POM-60 -8	POM-40 -8	POM-40 -8	POM-40 -8V	POM-40 -8V	POM-40 -8VH
320 MMBTU 9060 Nm <sup>3</sup>	POM-100 Call AES	POM-80 Call AES	POM-60 -8	POM-60 -8	POM-60 -8	POM-60 -8	POM-60 -8	POM-60 -8V	POM-60 -8V	POM-60 -8HV
340 MMBTU 9630 Nm <sup>3</sup>	POM-100 Call AES	POM-80 Call AES	POM-80 Call AES	POM-60 -8	POM-60 -8	POM-60 -8	POM-60 -8	POM-60 -8V	POM-60 -8V	POM-60 -8HV
360 MMBTU 10200 Nm <sup>3</sup>	POM-100 Call AES	POM-80 Call AES	POM-80 Call AES	POM-60 -8	POM-60 -8	POM-60 -8	POM-60 -8	POM-60 -8V	POM-60 -8V	POM-60 -8HV
380 MMBTU 10760 Nm <sup>3</sup>	POM-100 Call AES	POM-80 Call AES	POM-80 Call AES	POM-60 -8	POM-60 -8	POM-60 -8	POM-60 -83	POM-60 -83V	POM-60 -83V	POM-60 -8H3V
400 MMBTU 11330 Nm <sup>3</sup>	POM-100 Call AES	POM-80 Call AES	POM-80 Call AES	POM-60 -8	POM-60 -8	POM-60 -8	POM-60 -83	POM-60 -83V	POM-60 -83V	POM-60 -8H3V

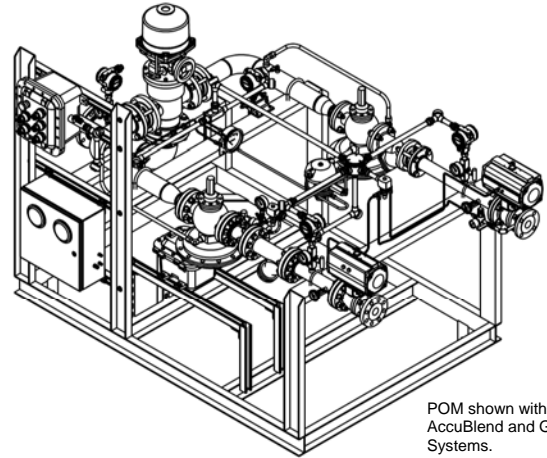
POM-30, POM-40, and POM-60 are available with Fisher 99 or Fisher 1098 EGR regulators for installations with sufficiently high LP-vapor supply pressure (100-125 psi) and should be used only if the LPG consists of at least of 80% Propane. Higher Butane content and/or lower LP-vapor pressure require different regulator configurations. For discharge pressures above 75psi (5.2bar) POM-30, POM-40, and POM-60 are configured with a Fisher V-Ball control valve on the air side.

	Suffix -9	Suffix -9V	Suffix -8	Suffix -8V	Suffix -8HV	Suffix -83	Suffix -83V	Suffix -8H3V
Vapor Side	2-in 99	2-in 99	2-in 1098EGR	2-in 1098EGR	2-in 1098HEGR	3-in 1098EGR	3-in 1098EGR	3-in 1098HEGR
Air Side	2-in 99	2-in V-Ball	2-in 1098EGR	2-in V-Ball	2-in V-Ball	3-in 1098EGR	3-in V-Ball	3-in V-Ball

Other configurations may be required for non-standard operating conditions.

# Drawings, Dimensions

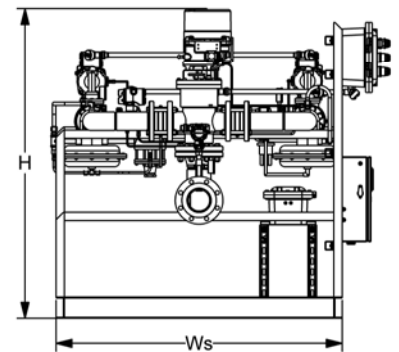
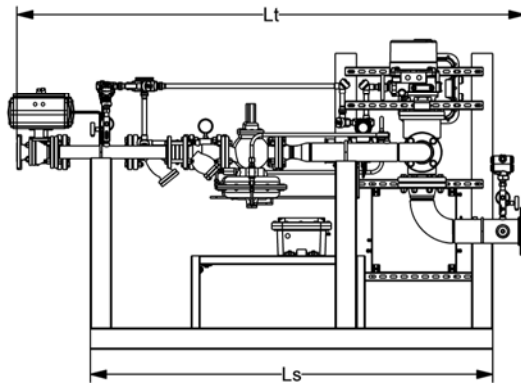
	Dimensions in inches		Dimensions in mm	
	W <sub>S</sub>	L <sub>S</sub>	L <sub>T</sub>	H
POM-30	54 1372	72 1829	92 2337	53 1346
POM-40	54 1372	76 1930	96 2438	57 1448
POM-60	54 1372	84 2134	103 2616	64 1626
POM-80	60 1520	105 2670	115 2920	66 1680
POM-100	78 1980	118 3000	148 3760	70 1780



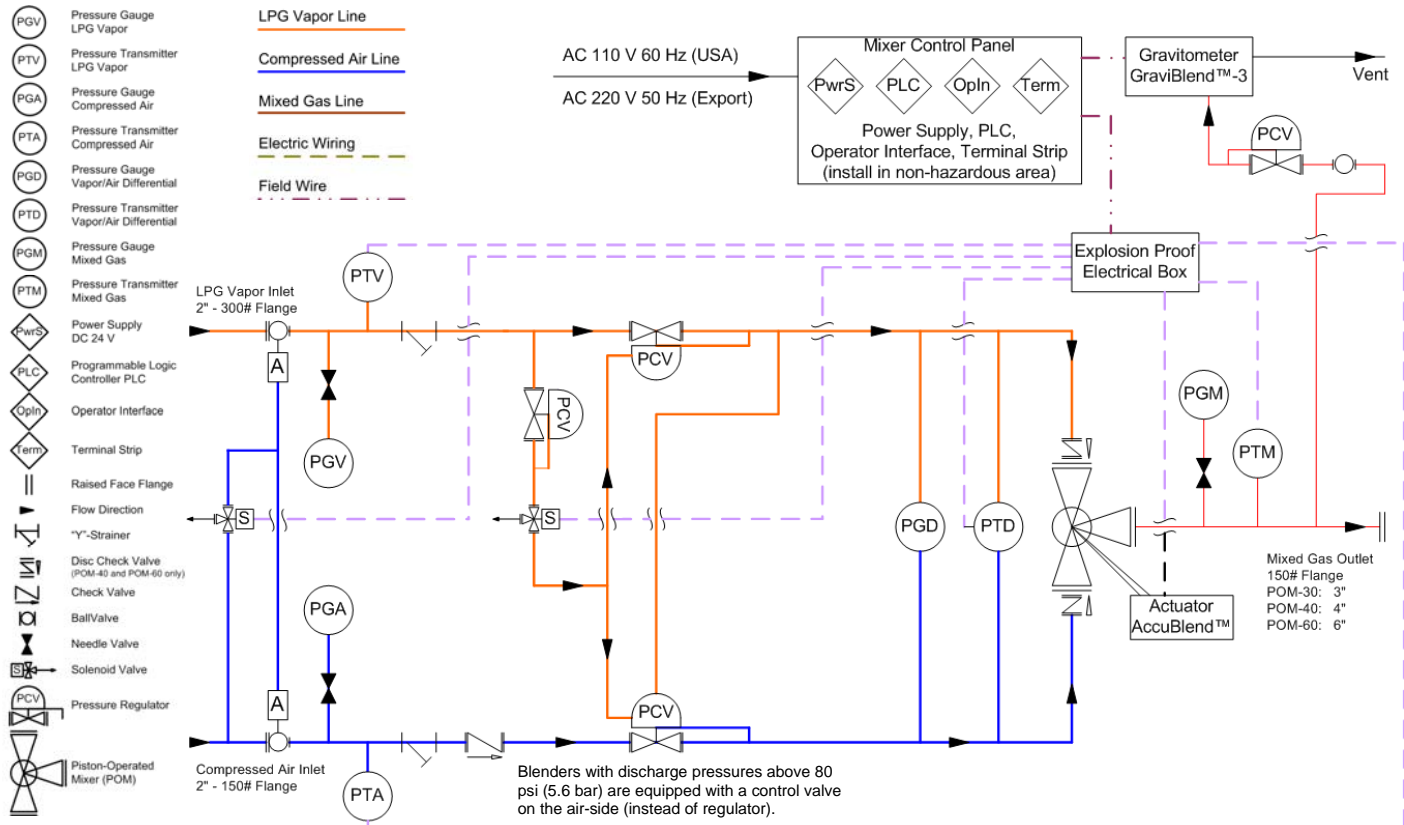
POM shown with optional AccuBlend and GraviBlend Systems.

Safety Valves in Vapor Inlet and Air Inlet are pneumatically actuated and "fail-safe" through spring-return to "Closed" position in case of power failure or high-pressure alarm.

Standard regulator type on all POM models is Fisher 99 or similar. POM models for certain applications may be equipped with regulator type Fisher 1098-EGR or similar as shown in sample drawing.



# Typical System Configuration (P&I D)



# Options and Accessories

## AccuBlend™ – Automatic Control of Gas Properties

All AES patented Piston Operated Mixers can be equipped with this option. It consists of an electric actuator, mounted on top of the POM valve, and a dedicated proportional controller. The controller receives the 4-20 mA signal from a gas analyzer, and compares this signal with a pre-set value, representing the correct mixture. If deviations are detected, the actuator changes the rotational position of the piston in the POM valve, thereby effectively correcting the mixture to meet customer requirements. When the AES GraviBlend®-3 is used, the function of the controller is integrated into the microprocessor-controls of the GraviBlend®-3.



## GraviBlend®-3 – High-Speed, Real-Time Gravimeter

GraviBlend®-3 Gravimeters measure the Specific Gravity (SG) of the LPG/Air mixture. The resulting signal is an indicator for the quality of the produced gas. Maintaining a consistent SG value of the LPG/air mixture is important in applications where variations in the gas properties would change the heat output of a burner or furnace, and where this change would have a negative effect on the process.

If combined with the AccuBlend™ option, the signal from the Gravimeter is looped back to the positioner/actuator at the mixing valve, which then automatically changes the gas/air ratio to correct any variations in the SG of the mixed gas.



## PeakShaving Controller

All AES POM mixers can be equipped with PeakShaving Controllers. These are typically designed to meet the needs of a specific customer. However, they all have a number of features in common:

- Electronic Flow Control Valve, pneumatically actuated
- SNG Flow Transmitter (SNG = Synthetic Natural Gas)
- Natural Gas Flow Transmitter
- Selectable Operating Modes
  - Inject SNG at fixed volumetric flow rate (SCFM - SCFH - Nm<sup>3</sup>/h - ...)
  - Inject SNG at fixed energy flow rate (MMBTU/h - MJ/h - kcal/h - ...)
  - Maintain NatGas/SNG Ratio
  - Manual or Fully Automatic Mode
- Limit flow to maximum vaporizer capacity
- Injection rates from 10 to 1,000+ MMBTU/hr



## Single Skid Installation

In installations with limited space, the POM can be installed on the same skid with a standard AES water bath vaporizer.

This option includes the integration of the Vaporizer and POM controls and wiring of all control components and transmitters.

POM blenders for on-skid installation are typically configured "vertical" for maximum space saving. Vertical Installation on the same skid as the vaporizer is available for vaporizer models WB-168 to WB-2505. On larger Vaporizers the POM is installed in "horizontal" configuration behind the Vaporizer.

Single skid installation eliminates all field wiring and piping between the Vaporizer and POM.



## Separate Mixer Building

Customers in areas with extreme weather conditions often require LPG/Air mixing equipment to be installed in separate buildings. AES has developed a building concept that is based on modified 20ft or 40ft ISO shipping containers. This makes the structures easy to transport to the installation site, without the need for special-transport-permits. All mixing equipment is factory pre-installed and fully tested, considerably reducing the installation time. Both building sizes offer room for two mixers, allowing full redundancy.

POM Blenders can also be installed together with the vaporizer and the compressed air supply in a single building, also based on modified 20ft or 40ft ISO shipping containers. This creates a true plug-and-play "SNG System in a Box". Call AES to inquire about our i-Blend line, or download a brochure from the "Downloads" section on our web site.



# Who is Alternate Energy Systems, Inc. ?

After working for other manufacturers of LPG vaporizers and LPG / air systems for several years, John E. Hallberg founded Alternate Energy Systems, Inc. in 1974 in Peachtree City, located just 20 minutes south-west of the Atlanta airport. He successfully set out to design and manufacture products which were superior to those of his competitors. As a result, AES became very quickly known as the innovative manufacturer of quality products. Soon, the customer list included a representative cross-section of the Fortune 500 companies in the U.S.



Through the years, AES has constantly added new products, and has further improved the design of existing products, keeping us ahead of the competition. Several designs, including those for LPG/Air mixing systems, were awarded national and international patents.

Today, AES is owned by Steven Chambers. Mr. Chambers continues to build on the tradition of excellence and customer service at AES. At AES, "just good enough" is never good enough. AES is committed to both quality products and customer service. We strive to understand our customers and continuously improve so that we can exceed their needs and expectations .

AES is committed to serving customers in the U.S. and abroad through a network of sales specialists, technical support personnel, distributors and installers.

Please visit our web site at [www.altenergy.com](http://www.altenergy.com) for updated versions of all data sheets, price lists, application notes, a list of authorized distributors, and other documents that are only available online.

## Other Products from Alternate Energy Systems, Inc.

Water Bath Vaporizers  
Hot Water Vaporizers  
Steam Vaporizers

Venturi Type LPG / Air Mixers  
Patented Piston Operated LPG / Air Mixers

Complete Vaporizer / Mixer Systems  
Peak Shaving Plants  
Gas Stabilization Systems

Accessories for LPG / Air Systems  
LPG Pump Packages

Service  
Maintenance  
Trouble Shooting

## Our Address

Alternate Energy Systems, Inc.  
210 Prospect Park P.O. Box 2469  
Peachtree City, GA 30269, USA

Phone 770-487-8596  
Fax 770-631-4306  
Toll Free 800-410-9161

E-Mail [info@altenergy.com](mailto:info@altenergy.com)  
WebSite [www.altenergy.com](http://www.altenergy.com)

## Your AES Distributor