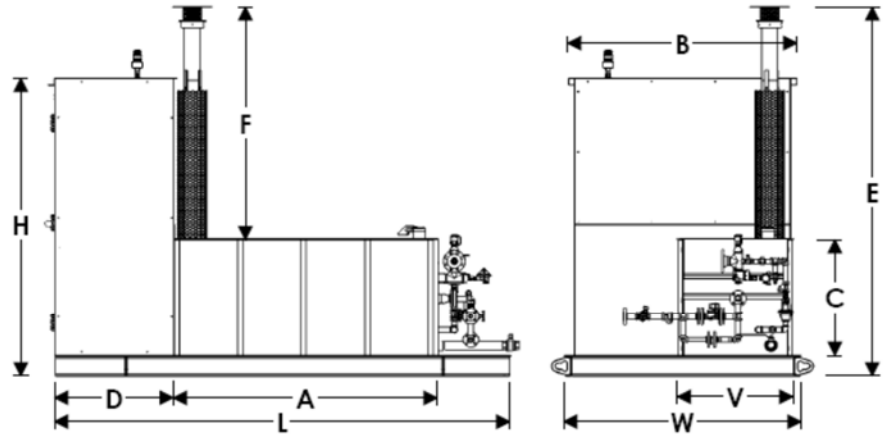
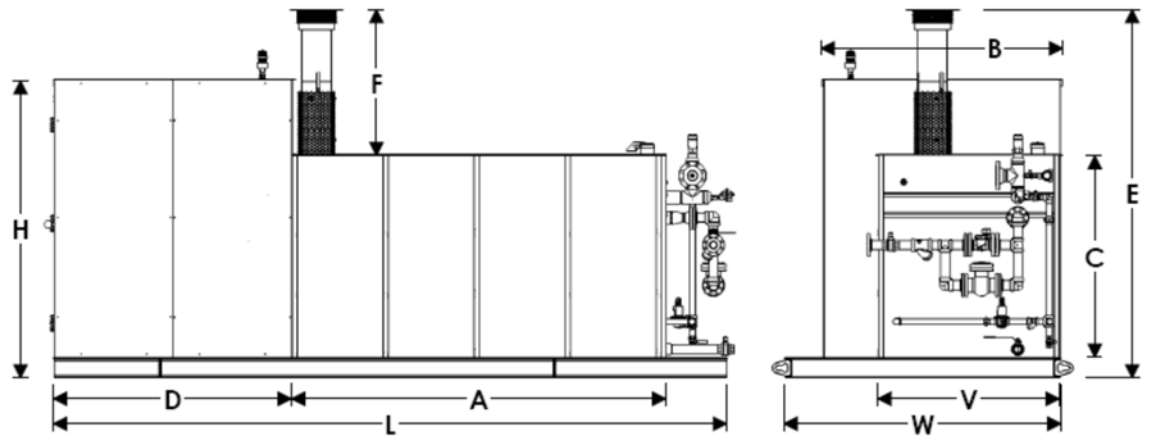


Drawings, 05-Series

Full-Size Control Room:
Standard on WB-455 to WB-1505.



Extended Control Room:
Standard on WB-1805 to
WB-10005, optional for
WB-455 to WB-1505.



Dimensions, 05-Series

Dimensions for Vaporizers with Full-Size Control Rooms

(Dimensions are subject to change without notice)		W	L	H	V	A	B	C	D	E	F	Concrete Slab
WB-455, WB-555, WB-655	inches	72	138	91	35	80	66	36	36	112	70	8' x 14'
	m	1.83	3.51	2.30	0.89	2.03	1.68	0.91	0.91	2.85	1.78	2.50 x 4.30
WB-755, WB-855	inches	72	142	91	38	93	66	51	36	112	56	8' x 14'
	m	1.83	3.61	2.30	0.97	2.36	1.68	1.30	0.91	2.85	1.42	2.50 x 4.30
WB-1005, WB-1205, WB-1505	inches	78	164	91	40	105	66	54	36	112	52	8' x 16'
	m	1.98	4.17	2.30	1.02	2.67	1.68	1.37	0.91	2.85	1.32	2.50 x 4.90

Dimensions for Vaporizers with Extended Control Rooms (Maintenance House)

(Dimensions are subject to change without notice)		W	L	H	V	A	B	C	D	E	F	Concrete Slab
WB-455, WB-555, WB-655	(Option) inches	72	174	91	35	80	66	36	72	112	70	8' x 17'
	m	1.83	4.42	2.30	0.89	2.03	1.68	0.91	1.83	2.85	1.78	2.50 x 5.00
WB-755, WB-855	(Option) inches	72	178	91	38	93	66	51	72	112	56	8' x 17'
	m	1.83	4.52	2.30	0.97	2.36	1.68	1.30	1.83	2.85	1.42	2.50 x 5.10
WB-1005, WB-1205, WB-1505	(Option) inches	78	200	91	40	105	66	54	72	112	52	8' x 19'
	m	1.98	5.08	2.30	1.02	2.67	1.68	1.37	1.83	2.85	1.32	2.50 x 5.80
WB-1805, WB-2005, WB-2205, WB-2505	inches	84	204	91	55	114	80	61	72	112	45	9' x 19'
	m	2.13	5.18	2.30	1.40	2.90	2.03	1.55	1.83	2.85	1.14	2.80 x 5.80
WB-3005, WB-3505	inches	80	240	91	78	144	80	65	84	112	41	9' x 22'
	m	2.03	6.10	2.30	1.98	3.66	2.03	1.65	2.13	2.85	1.04	2.80 x 6.70
WB-4505, WB-5505	inches	80	310	91	77	204	80	65	84	112	41	9' x 28'
	m	2.03	7.87	2.30	1.96	5.18	2.03	1.65	2.13	2.85	1.04	2.80 x 8.60
WB-7005, WB-10005	inches	82	460	113	79	289	80	80/100	144	138	28	9' x 41'
	m	2.08	11.68	2.87	2.01	7.34	2.13	2.13/2.54	3.66	3.51	0.71	2.80 x 12.50